

Receiver Installation

WARNING

To prevent possible SERIOUS INJURY or DEATH from a moving gate or garage door:

- ALWAYS keep remote controls out of reach of children. NEVER permit children to operate, or play with remote controls.
- Activate gate or door ONLY when it can be seen clearly, is properly adjusted, and there are no obstructions to door travel.
- ALWAYS keep gate or garage door in sight until completely closed. NEVER permit anyone to cross path of moving gate or door.

1) Installation on the operator

Mount the receiver directly on the operator by sliding the receiver tabs under the 3 terminal screws installed on the operator (See Diagram 1)

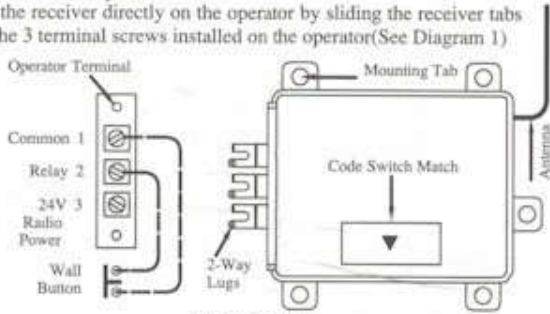


DIAGRAM 1

2) Remote Installation

The receiver may be mounted on the wall or post provided with security box near the operator with connecting between the operator terminal and the two way lugs on the receiver. (See Diagram 2)

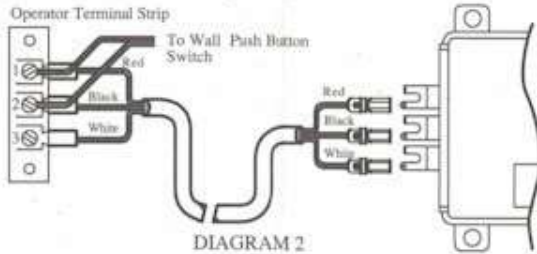


DIAGRAM 2

- (1) Red wire → Terminal #1 or "Common"
- (2) Black wire → Terminal #2 or "Relay"
- (3) White wire → Terminal #3 or "24V Radio Power"
- (4) Connect push button wires to terminal #1 and #2(See Diagram 2)

Where electric power for receiver is not available from the operator, order a power transformer adaptor(24V)

3) Code Setting

Using both thumbs, press and push upward to remove the rectangular hatch from the receiver to expose the code switch. Using a sharp object such as a paper clip, set the new code identical with transmitter by setting the " on and off " switches.

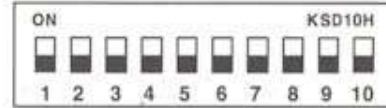


DIAGRAM 3

Note : The switches are in the on position when the switch is depressed toward the number The switches are in the "ON" position when the switch is depressed toward the letter " ON " (See Diagram 3)